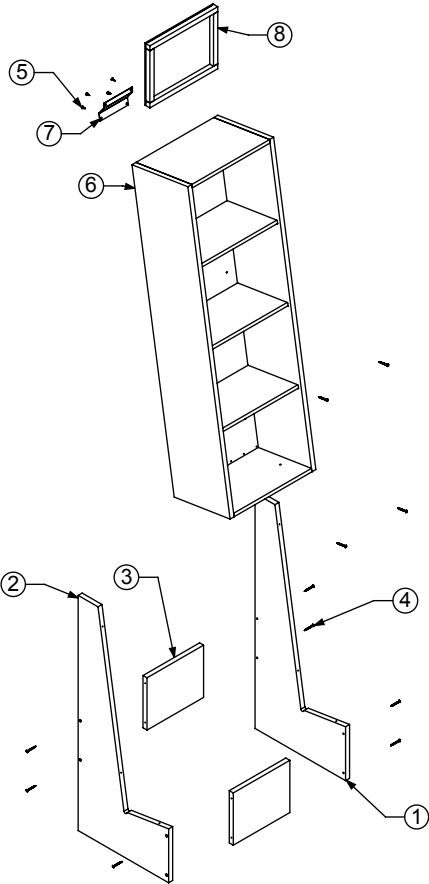




VERTICAL BIN

assembly instructions

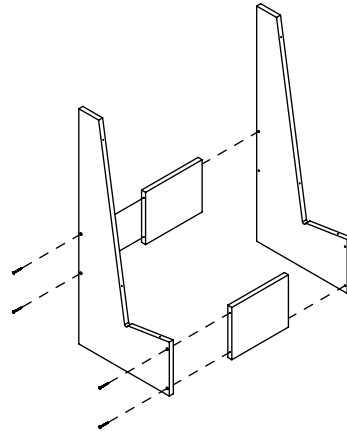
BOM		
ITEM#	QTY.	TITLE
1	1	SIDE PANEL FLOOR STAND - RIGHT
2	1	SIDE PANEL FLOOR STAND - LEFT
3	2	SUPPORT PANEL FLOOR STAND
4	12	FLAT HEAD SCREW #8 x 1.5"
5	4	FLAT HEAD SCREW #8 x .5"
6	1	Bin Assembly, Bakery/Wine Bin
7	1	LIQUOR DISPLAY SIGN BRACKET
8	1	LIQUOR DISPLAY SIGN



**INCLUDED IN
CONTAINER**

**STEP
1**

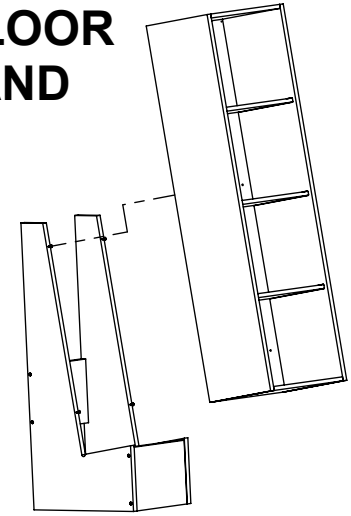
ASSEMBLE FLOOR STAND



- Using (8) #8 x 1.5" screws, assemble side panels (item 1&2) to support panels (item 3).

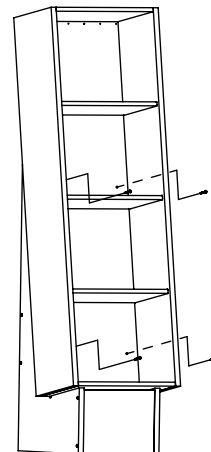
**STEP
2**

PLACE BIN ON FLOOR STAND



**STEP
3**

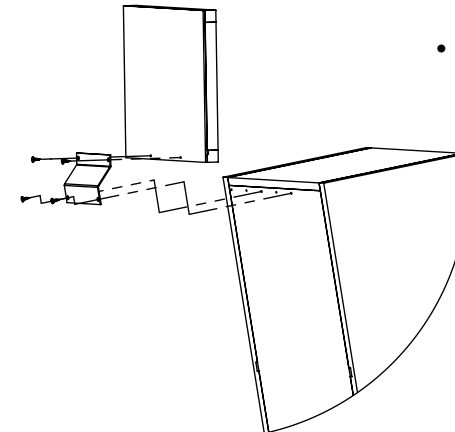
CONNECT BIN TO FLOOR STAND



- Using (4) #8 x 1.5" screws, attach bin to floor stand

**STEP
4**

ATTACH SIGN HEADER



- Using (4) #8 x .5" screws, attach Sign (item 8) and Bracket (item 7) to Bin.