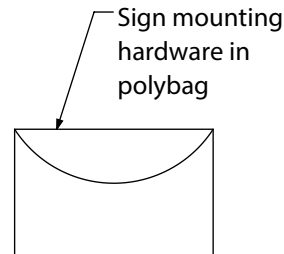
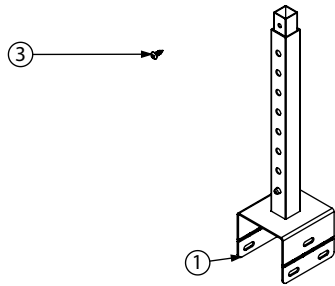
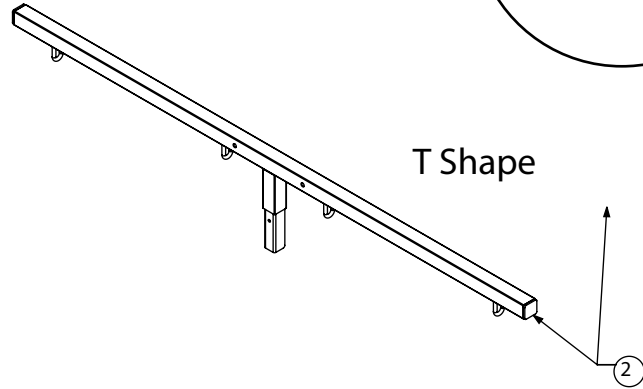
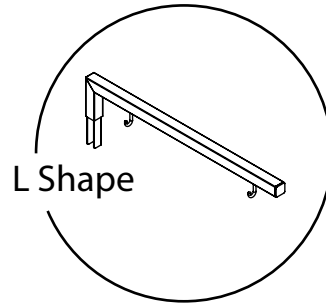


# Inline Aisle Gondola Sign

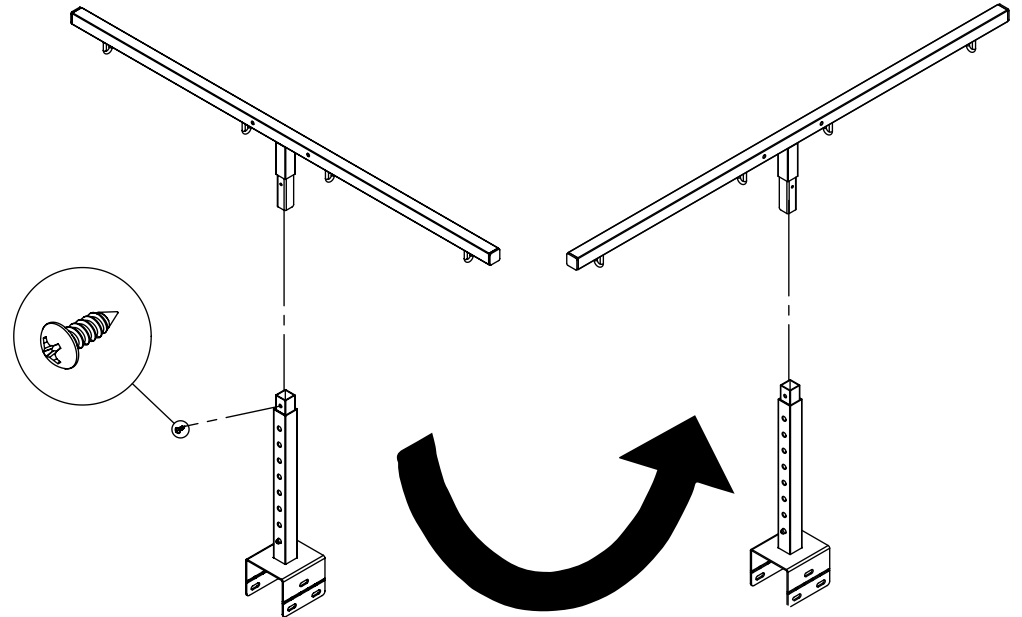
assembly instructions

| ITEM NO. | Title                  | QTY. |
|----------|------------------------|------|
| 1        | Aisle Sign Base        | 1    |
| 2        | Aisle Sign Top         | 1    |
| 3        | #8x0.5" P PH SMS       | 1    |
| 4        | Sign Mounting Hardware | 1    |



Included in box

STEP  
1

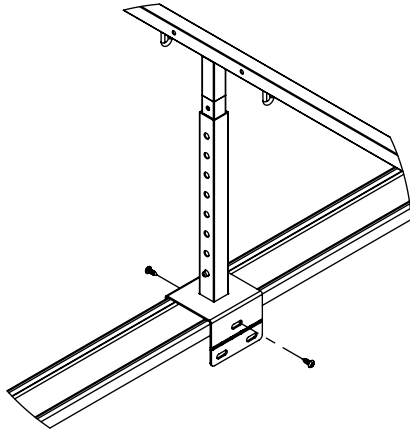


## Assemble top to base

- Sign can be rotated 90 degrees to base. Rotate sign depending on where it will be placed and getting your best viewing angle.
- Use (1) #8 x 1/2" screw.

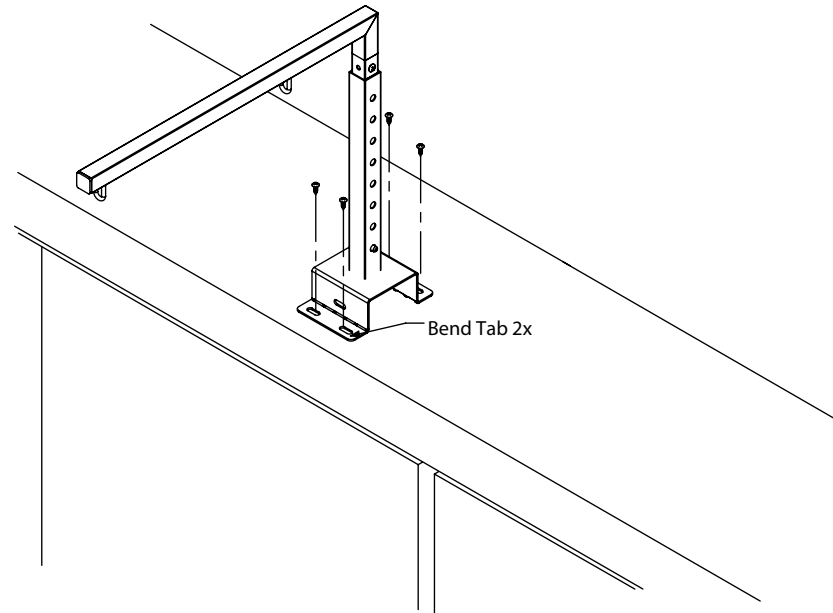
\*Note not all hardware may be used during installation.

STEP  
2



## Retail Gondola Shelving Mount

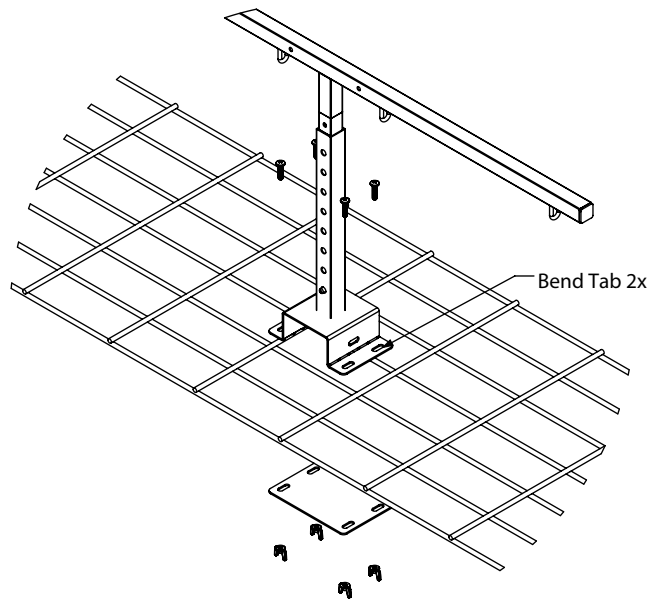
- Set assembled sign in desired location on top of gondola shelving back panel.
- Attach sign to gondola shelving back panel. There are two options to screw the sign in place.
- Option 1 - To screw sign into the pegboard panel use (2) #10 x 3/4" wood screws. Screw through the bracket into the pegboard on both sides of the gondola.
- Option 2 - To bolt completely through the pegboard back panel use (2) 10-24 x 3" nuts and bolts. Line up bracket holes with pegboard holes and insert bolts through the pegboard.
- Make sure that the sign is level and not angled down.



## Flat Surface or Cooler Top Mount

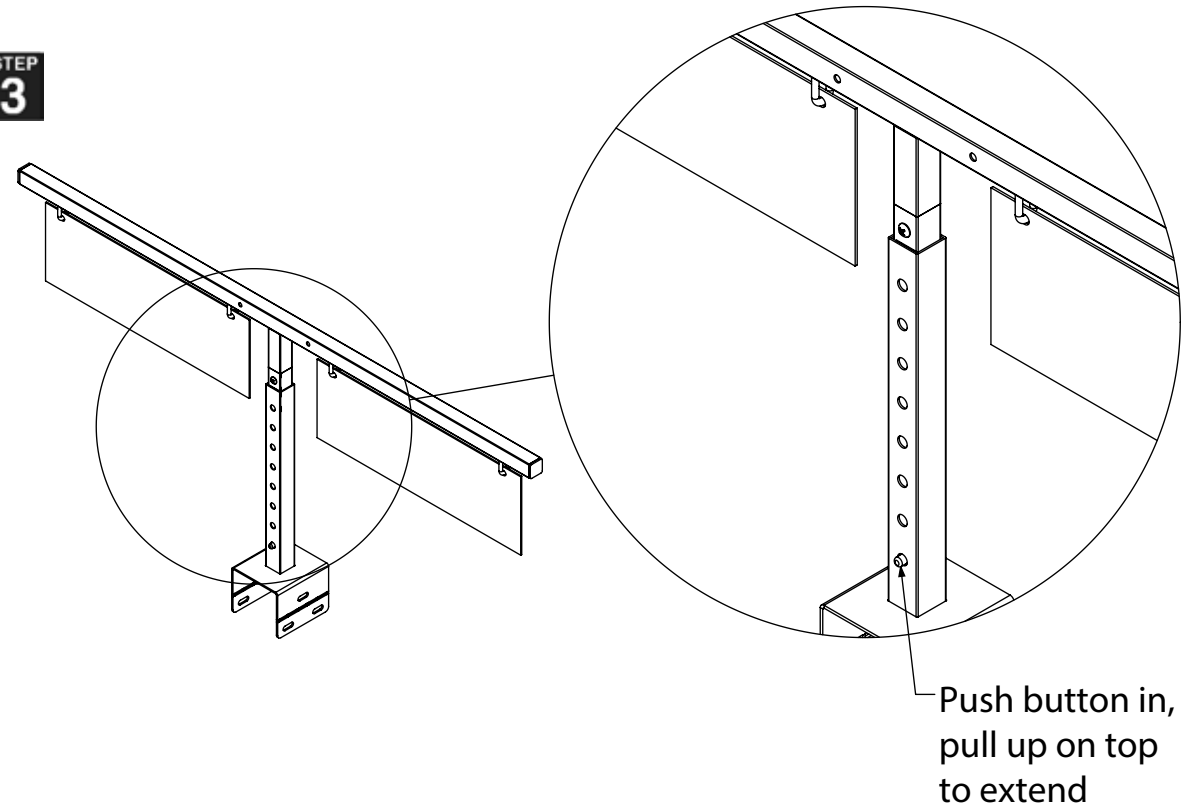
- Bend bracket tab flanges upward.
- Set sign on flat surface.
- Screw sign down using (4) #10 x 3/4" wood screws or appropriate fasteners for your application.
- Your application may require drilling screw holes into the flat surface.

STEP  
3



## Wire Rack Mount

- Bend bracket tab flanges upward.
- Set sign onto wire rack or shelf.
- Using the supplied flat metal plate attach sign to wire rack using (4) #10 x 3/4" wing nuts and bolts.



## Hang Printed Signs And Adjust Viewing Height

- Hang printed signs to the metal hooks on sign bracket.
- Adjust the sign up or down by pushing in button and extending neck of bracket up or down to the best viewing position.